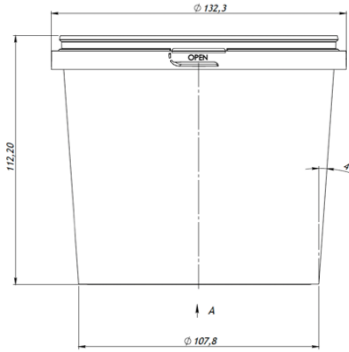
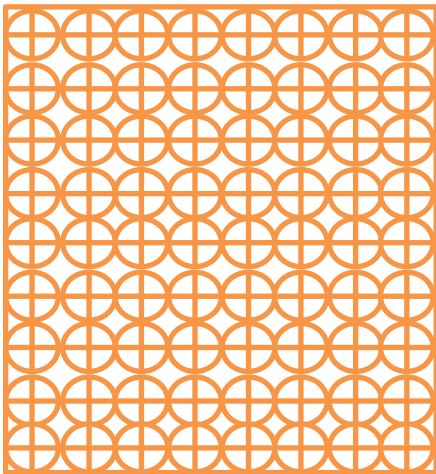


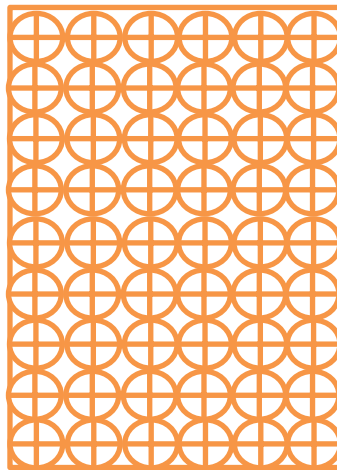
Specification Sheet – 1.0 L



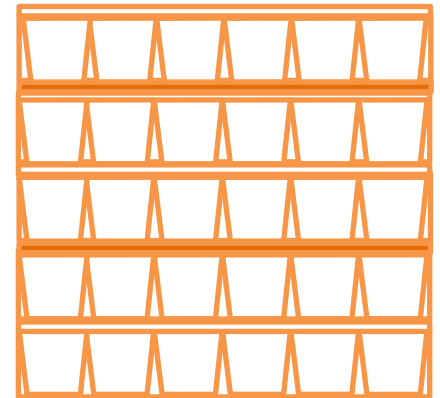
Total useful volume:	1.0 L
Upper diameter:	130 mm
Lower diameter:	107,8 mm
Height without lid:	112,2 mm
Height with lid:	113,2 mm
Quantity per pallet:	3600 pcs
Material:	polypropylene



Pic 1. Pallet 1200/1000



Pic 2. Pallet 1200/800



Pic 3. Side view (when placed in five tiers, the last and middle row must be covered with corrugated cardboard)

Weight of the bucket $34 \pm 1,2$ grams
Size tolerance ± 1 mm

Color:

The product is available in white, transparent, or colored according to the customer's order. All masterbatches used in the coloring of buckets and lids are certified for contact with food products

Handle:

Plastic

Packaging:

Each set (stack) of buckets is packed in polyethylene bags and wrapped in stretch film

Marking:

Each package of a set of buckets is marked with an insert (Manufacturer, name, address of production facilities, material, number of products, date of production, lot number, company stamp, expiration date)

Expiration date:

12 months from the date of production

The quality of the products meets the requirements of TU U 22.2-40848854-001:2016 (DSTU R 50962-96)

For technical reasons, the image may differ from the actual product. Technical changes are possible.